

Ref. : PU 1100.pas

Rev. : G

Date : 01/02/2016

Page : 1/1

AUTOMATIC FLOAT AIR TRAP

PU 1100



APPLICATION

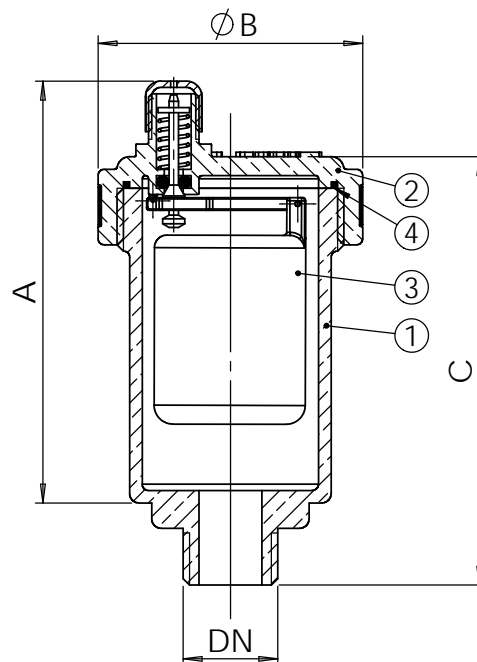
Automatic float air or gas trap.

GENERAL CHARACTERISTICS

Copper alloy body and bonnet.
Polypropylene float - PN 10.

CONSTRUCTION

4	1	O-Ring seal	EPDM	
3	1	Float	Polypropylene	
2	1	Bonnet	Brass CuZn39Pb2	DIN: CuZn39Pb2 ASTM: B124 C37700 BS: 12164 CZ121
1	1	Body	Brass CuZn39Pb2	DIN: CuZn39Pb2 ASTM: B124 C37700 BS: 12164 CZ121
Pos.	Qty.	Description	Material	



DIMENSIONS

DN		A	Ø B	C	Weight (kg)
mm	inch				
12	3/8"	69,5	37	67,5	0,11
15	1/2"	69,5	37	67,5	0,12
20	3/4"	88	50	86	0,24
25	1"	88	50	86	0,24

WORKING CONDITIONS

Maximum working pressure : 10 bar.
Maximum temperature : + 110°C.

Pressure test according to standards
EN 12266-1, DIN 3230, BS 5154 and ISO 5208 :
Body : 15 bar.
Seat : 11 bar.

STANDARDS

BSP male threaded according to standard ISO 228-1.