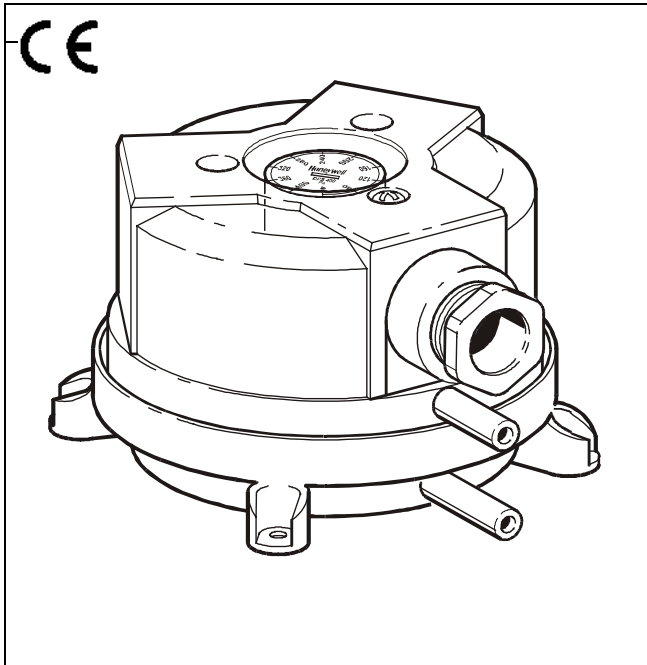


## Differential Pressure Switches DPS-Series FOR AIR CONDITIONING/VENTILATION – USER ADJUSTABLE

### PRODUCT DATA



### Applications

Differential pressure switch e.g. for monitoring filter, fan, fire damper or air flow status of air handling systems.

### Benefits

- Switching point easily adjustable with scale in Pascal
- Direction of PG 11 conduit entry can be rotated in steps of 120°
- Only one screw needed for housing cover

### Pressure medium

Air, non-inflammable and non-aggressive gases

### Specifications

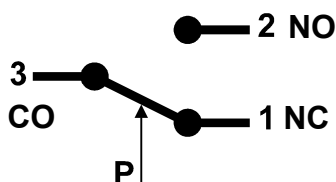
Max. operating pressure:	5000 Pa
Pressure connections:	2 plastic tubes ø 6.0 mm outside.
Switching capacity:	1.5 A (0.4)/250 V~
Electrical connections:	AMP connectors 6.3 x 0.8 DIN 46244 or screw terminals
Conduit entry	PG 11
Protection class:	IP 54
Mounting lugs:	integrated in bottom housing
Medium/ambient temp.:	-20 °C...+ 85 °C
Storage temperature:	-40 °C...+ 85 °C
Membrane material:	Silicone

### Operating ranges

type	adjustment range for upper trip pressure	switching difference (hysteresis)
DPS 200	20...200 (Pa)	10 (Pa)
DPS 400	40...400 (Pa)	20 (Pa)
DPS 1000	200...1000 (Pa)	100 (Pa)
DPS 2500	500...2500 (Pa)	150 (Pa)

The trip pressure refers to vertical mounting. In case of horizontal mounting (with cover position upwards) the range values increase by 20 Pa.

### Arrangement of contacts



Switch off power before removing cover!

### Approvals

CE approval according to low voltage directive EEC 73/23.

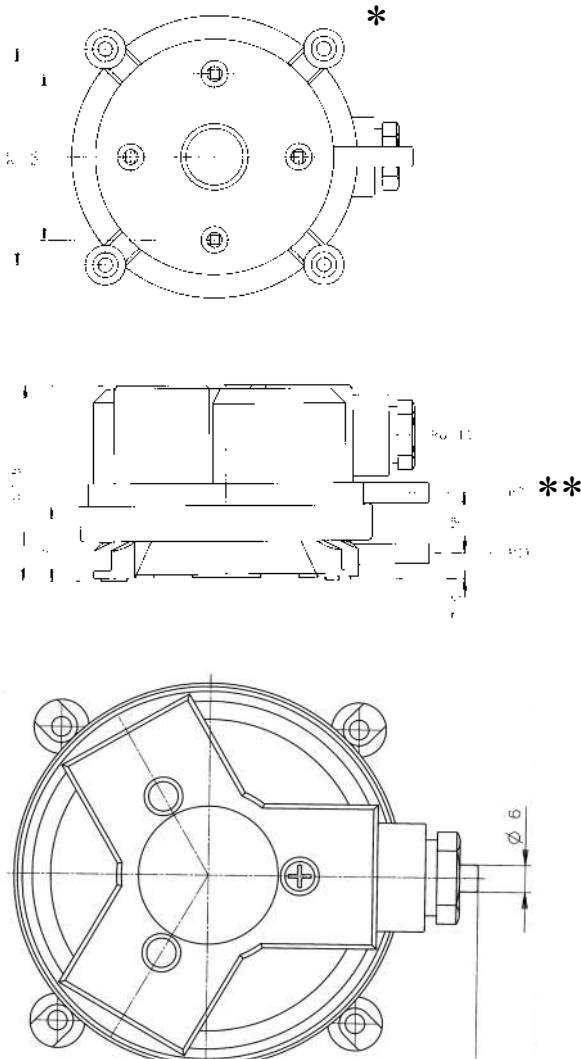
Switch according to VDE 0630. EN-1854.

### Accessories

- DPSK\* Duct Kit, including 2 m of silicone-hose and 2 joining pipes DPSJ with screws.\*
- DPSL Mounting brackets L-shaped
- DPST\* Set of 3 push-on screw terminals for AMP connectors.\*

\* Included in delivery of single package

### Dimensions



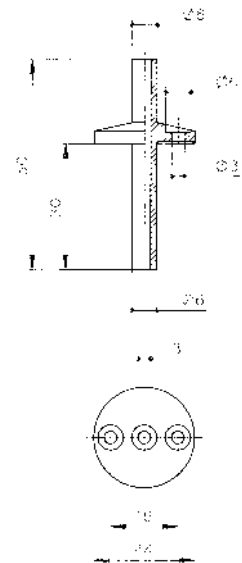
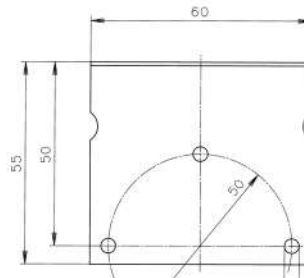
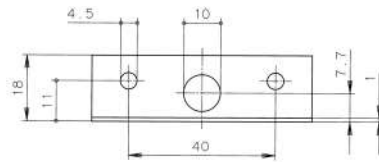
#### Pressure Switch DPS-Series

- Different cover positions possible
- Cable fitting removable for installation

\* Use 2 screws only for mounting lugs!  
 \*\* Remove transport protection from P2!  
 Don't install upside down with trip pressures < 50 Pa!

P1 higher pressure  
 P2 lower pressure

### Options / Accessories



#### DPSL

L-shaped mounting brackets



DPST Screw Terminal

#### Joining pipe, DPSJ

L-shaped mounting brackets  
 (part of DSPK duct kit)

#### Content of delivery (for single package)

- 1 DPS Differential Pressure Switch
- 1 Data Sheet with installation information
- 1 DPS kit consisting of:  
 2 m of silicone hose,  
 2 joining pipes DPSJ with 4 screws,  
 2 self-tapping screws for mounting the housing  
 3 terminal screws for electrical installation

#### Optional accessories

DPSL L-shaped mounting bracket,  
 for e.g. vertical installation below ceilings  
 including 2 screws

Bulk package available on request

**Honeywell**

#### Home and Building Control Products

Honeywell AG  
 Böblinger Straße 17  
 D-71101 Schönaich  
 Phone (49-7031) 637-01  
 Fax (49-7031) 637-493

