

BSV4-CWD SERIES DUAL PLATE CHECK VALVE NON RETURN VALVE

- Wide Size range (DN50...DN300)
- Cast iron Body
- Lapped Ductile Iron disc
- Wafer type and flange type Connection



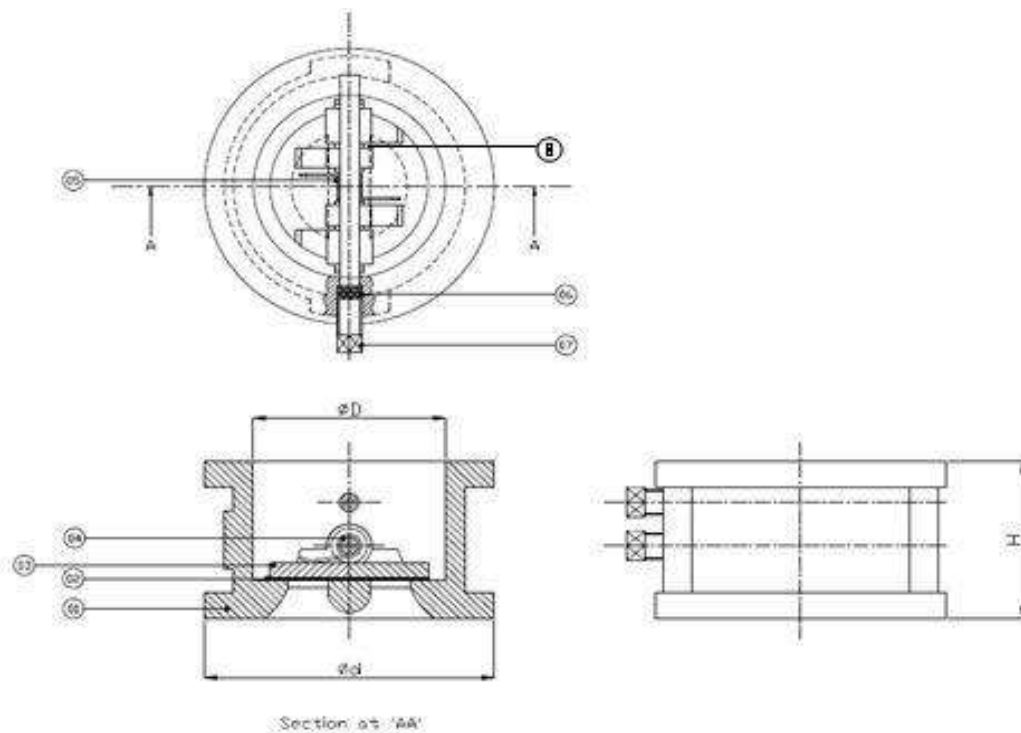
SYSTEM OVERVIEW

The BSV4-CWD Dual Plate Check Valves is designed for Chilled & Hot Water for purpose non-return valve that is stronger, lighter in weight and smaller in size as compared to other Check valve.

Technical Specification

Sizes	DN50-DN300
Nominal pressure	PN16
Medium Temperature	-10°C- +110°C Maximum
Body Material	IS:210, C.I - UPTO DN250 D.I - DN300
Shaft Material	ASTM A276,GR SS 410
Plate Material	Lapped Ductile Iron Disc
Seal	EPDM
Medium Type	Water
Flange standard	ISO7005-1(GB/T9113)/ IS:1538
Shell Test pressure	24bar
Seal Test pressure	17bar

DIMENSIONS (mm)



MATERIAL LIST

PT No.	PART NAME	MATERIAL
01	BODY	IS:210,Gr. FG200
02	SEAT	EPDM
03	PLATES	D.I (LAPPED)
04	SHAFT	ASTM A276, GR. SS410
05	SPRING	AISI 302
06	O-RINGS	NITRILE / EPDM
07	PLUG	M.S. (CROME PLATED)
08	FASTENERS	STAINLESS STEEL

DIMENSIONS (mm)

Size	50	65	80	100	125	150	200	250	300
ϕD	62.5	74	91	116	145	169.5	220	273	324
ϕd	95	110	130	160	188	212	280	340	410
H	54	54	57	64	70	76	95	108	143

Model Table

Size	Model Number	Description
DN50	BSV4-CWD-GP16-G050	BS Check Valve CI Body DI Seat 2" Wafer – Dual Plate check valve (Non return Valve)
DN65	BSV4-CWD-GP16-G065	BS Check Valve CI Body DI Seat 2 1/2" Wafer – Dual Plate check valve (Non return Valve)
DN80	BSV4-CWD-GP16-G080	BS Check Valve CI Body DI Seat 3" Wafer – Dual Plate check valve (Non return Valve)
DN100	BSV4-CWD-GP16-G100	BS Check Valve CI Body DI Seat 4" Wafer – Dual Plate check valve (Non return Valve)
DN125	BSV4-CWD-GP16-G125	BS Check Valve CI Body DI Seat 5" Wafer – Dual Plate check valve (Non return Valve)
DN150	BSV4-CWD-GP16-G150	BS Check Valve CI Body DI Seat 6" Wafer – Dual Plate check valve (Non return Valve)
DN200	BSV4-CWD-GP16-G200	BS Check Valve CI Body DI Seat 8" Wafer – Dual Plate check valve (Non return Valve)
DN250	BSV4-CWD-GP16-G250	BS Check Valve CI Body DI Seat 10" Wafer – Dual Plate check valve (Non return Valve)
DN300	BSV4-CWD-GP16-G300	BS Check Valve CI Body DI Seat 12" Wafer – Dual Plate check valve (Non return Valve)

Note: valve sizes up to DN600 are also available. Please contact local sales for details.

For more information!

<https://honeywellbuildings.in>

Call: 1-800-103-0339

Email: HBT-Indiabuildings@honeywell.com

Honeywell HBT India Buildings

Unitech Trade Center, 5th Floor, Sector-43,
Block C, Sushant Lok Phase - I,
Gurgaon - 122 002

www.honeywell.com

© 2020 Honeywell International Inc.

BSV4-CWD SERIES
DUAL PLATE CHECK
VALVE NON RETURN VALVE

Honeywell