

Ref. : BS 1169MFL.pas

Rev. : Initial

Date : 04/09/2013

Page : 1/1

# FULL BORE BALL VALVE MALE/FEMALE THREADED

## BS 1169MFL



**Tecofi**  
VALVE DESIGNER - FRANCE

### APPLICATION

General use : Watering, water distribution, heating, drinkable water, air-conditioning.

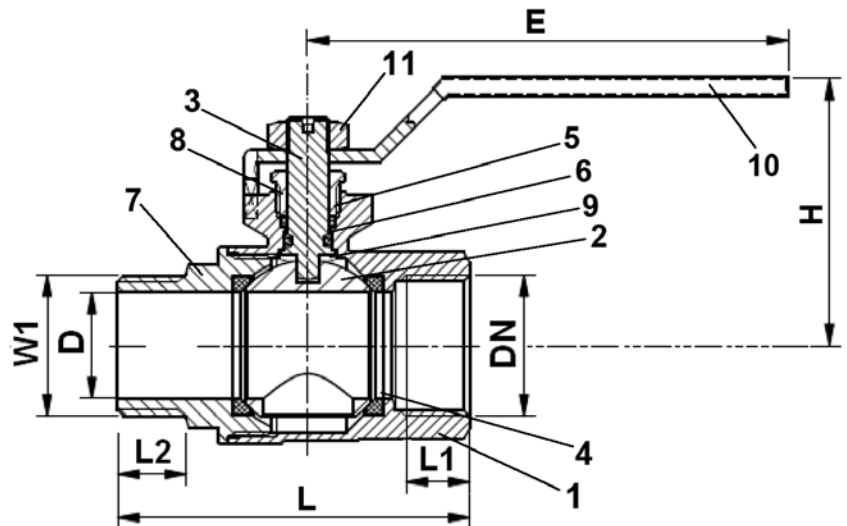
### GENERALES CHARACTERISTICS

From DN1/4" to DN 2".  
Fabrication according to NF079.  
Full bore.  
Anti blow-out stem.  
Solid ball.  
Drilled ball ( to avoid water stagnation between ball and body ) up to DN 1"1/2".  
PTFE G200 packing + O ring EPDM 4270 on stem.  
Handle operating.  
Handle green color RAL 6029.



### CONSTRUCTION

11	Nut	Galvanized steel	Geomet 321 coated
10	Handle	Galvanized steel	Geomet 321 coated
9	O ring	PTFE	
8	Packing nut	Brass	CW614 N according to EN 12164
7	External body	Brass	CW617 N suivant EN 12165
6	Packing gland	PTFE	
5	Packing	Brass	CW614 N according to EN 12164
4	Seat	PTFE G400	
3	Stem	Brass	CW614 N according to EN 12164
2	Ball	Brass	CW617 N suivant EN 12165
1	Body	Brass	CW617 N according to EN 12165
<b>Pos.</b>	<b>Description</b>	<b>Material</b>	



### DIMENSIONS

DN		L	L1	L2	H	D	E	W	Weight (kg)
mm	inch								
8	1/4"	49,5	8	9,5	39,5	10	80	17	0,127
12	3/8"	49,5	8,5	10,5	39,5	10	80	17	0,125
15	1/2"	56	10,5	11	47	15	90	22	0,199
20	3/4"	66,5	12	13	50	20	90	27	0,292
25	1"	78	13,5	15	62,5	25	115	34	0,5
32	1"1/4"	91	15,5	16	72	32	130	42	0,768
40	1"1/2"	102	15,5	17	78	39	130	48	1,032
50	2"	119	19	18	91	50	150	60	1,898

### WORKING CONDITIONS

Working temperature: - 5°C / +90°C  
Peak temperature : +110°C ( maximum 1 hour )

Working pressure : 40 bar - from DN1/4" to DN 3/4"  
25 bar - from DN1" to DN1"1/4",  
16 bar - from DN1"1/2 to DN2"

### STANDARDS

BSP threaded male/female BSP according to standard ISO 228-1.

French water agreement ACS n° ACC LY 136

TECOFI France - 83, Rue Marcel Mérieux 69960 Corbas - FRANCE  
Tél. +33 (0) 4 72 79 05 79 - Fax +33 (0) 4 78 90 19 19 / +33 (0) 4 72 79 05 70  
Adresses e-mail : sales@tecofi.fr ; tecofi@tecofi.fr / Site web : www.tecofi.fr