

Ref. : F 3242 pas

Rev. : B

Date : 06/02/2015

Page : 1/1

FLANGED TYPE STRAINER PN10

F 3242



Tecofi'
VALVE DESIGNER - FRANCE

APPLICATION

General use : for watering, water treatment and irrigation.

GENERAL CHARACTERISTICS

From DN40 to DN300.
Removable stainless steel filter
Horizontal or vertical position with descendant fluid.
The flow direction indicated by the arrow on the body.
Mesh: 1 mm - from DN40 to DN50;
1.25 mm - from DN65 to DN80;
1.6 mm - from DN100 to DN300.
Bolted bonnet with draining cap threaded BSP.

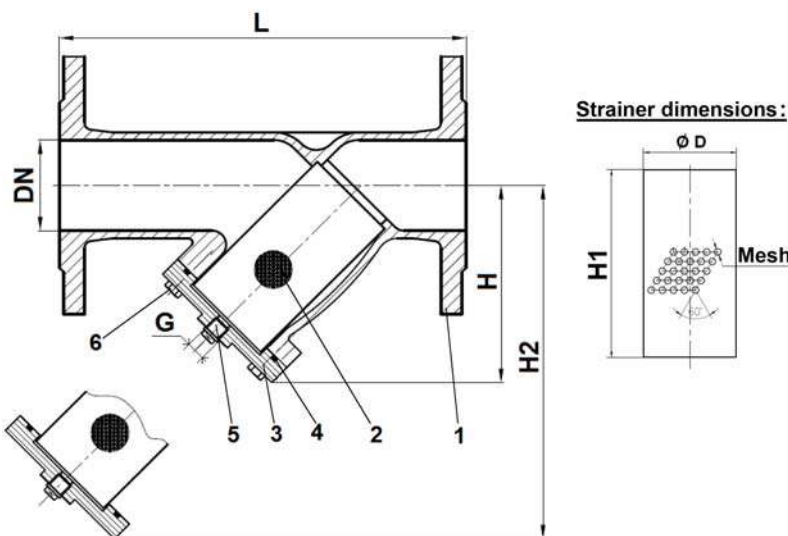


CONSTRUCTION

6	Bolting	Stainless steel 304
5	Draining cap	Stainless steel 301
4	Bonnet gasket	EPDM
3	Bonnet	Cast iron EN-GJL-250
2	Filter	Stainless steel 316
1	Body	Cast iron EN-GJL-250
Pos.	Description	Material

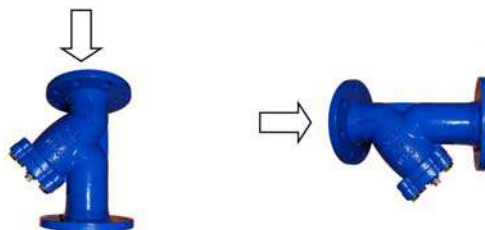
DIMENSIONS

DN		L	H	H2	G (drain)	ØD	H1	Mesh	Weight (kg)
mm	inch								
40	1"1/2	200	110	175	1/2"	42	91,2	1,0	6,300
50	2"	230	117	192	1/2"	52	105,2	1,0	7,700
65	2"1/2	290	142	232	1/2"	67	127,2	1,3	11,400
80	3"	310	163	265	1/2"	82	140,7	1,3	14,200
100	4"	350	194	323	1/2"	102	180,2	1,6	18,500
125	5"	400	248	402	1/2"	127	215,7	1,6	28,500
150	6"	480	280	430	3/4"	160	234,2	1,6	39,200
200	8"	600	346	560	3/4"	206	296,5	1,6	61,200
250	10"	730	433	715	3/4"	252	393,5	1,6	115,6
300	12"	850	480	785	3/4"	302	426	1,6	155,5



Vertical position (ascendant fluid)

Horizontal position



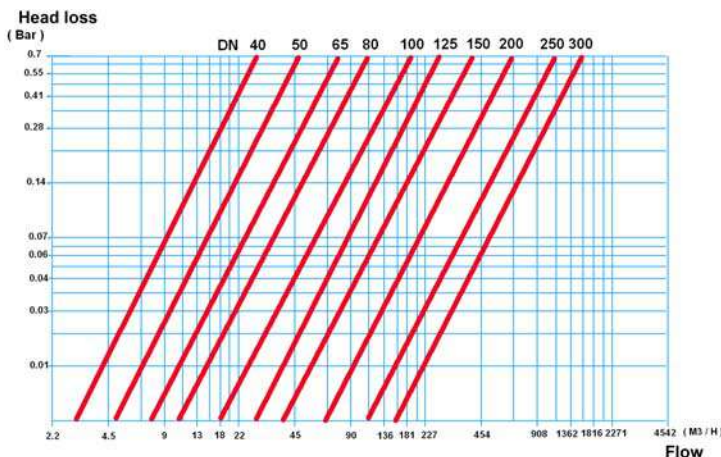
WORKING CONDITIONS

Maximum working conditions : -10°C / +80°C

Maximum working pressure: 16 bar from DN40 to DN200;
10 bar from DN250 to DN300.

STANDARDS

Fabrication according to ISO 9001 : 2008.
Tests according to EN 12266-1.
Face to face according to EN 558-1 Series 1 (DIN 3202 F1 – NF 29354).
Flanges R.F. according to EN 1092-2 PN16 for DN40-150 and PN10 for DN200-300.
Possibility PN16 for DN200-300 by request.



TECOFI France - 83, Rue Marcel Mérieux 69960 Corbas - FRANCE
Tél. +33 (0) 4 72 79 05 79 - Fax +33 (0) 4 78 90 19 19 / +33 (0) 4 72 79 05 70
Adresses e-mail : sales@tecofi.fr ; tecofi@tecofi.fr / Site web : www.tecofi.fr