

V2-YST-A150

Y-STRAINER

PRODUCT SPECIFICATION SHEET



FEATURES

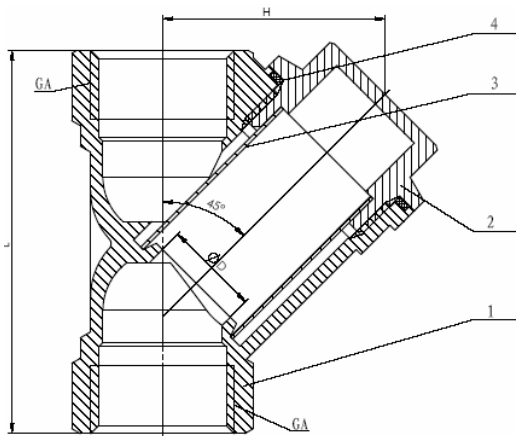
- Forged brass body
- Bolted Bonnet Cover
- Stainless Steel 304 Perforated Screen
- NPT / BSP threading

SPECIFICATIONS

Valve sizes: ½" to 2" (Threaded ends)

Nominal pressure: 200 psi from -20 °C to 150 °C
(Water, Steam, Oil)

NO.	DESCRIPTION	MATERIAL	ASTM STANDARD
1	Body	Forged Brass	ASTM B124, C37700
2	Bonnet	Forged Brass	ASTM B124, C37700
3	Filter	Stainless Steel	AISI 304
4	Sealing Washer	Teflon	PTFE



DIMENSIONS in (mm)

Size	Part No.		L	H	D	A
	For NPT Threading	For BSP Threading				
½"	V2-YST-A150-A050	V2-YST-A150-B015	56	32	14	½"
¾"	V2-YST-A150-A075	V2-YST-A150-B020	69	41	19	¾"
1"	V4-YST-A150-A100	V2-YST-A150-B025	82	49	25	1"
1 ¼"	V4-YST-A150-A125	V2-YST-A150-B032	90	57	30	1 ¼"
1 ½"	V4-YST-A150-A150	V2-YST-A150-B040	101	62	38	1 ½"
2"	V4-YST-A150-A200	V2-YST-A150-B050	123	75	48	2"