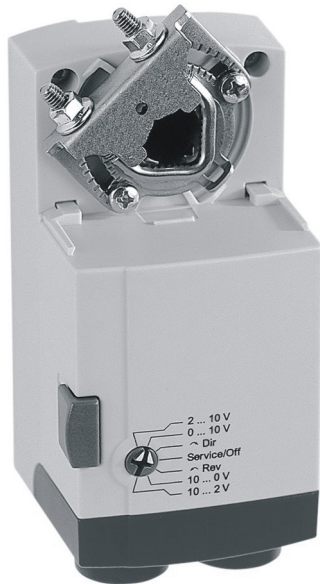


## N05010/N10010

### NON-SPRING RETURN DIRECT-COUPLED DAMPER ACTUATORS FOR MODULATING AND FLOATING / 2-POSITION CONTROL

#### PRODUCT DATA



#### GENERAL

This non-spring return direct-coupled damper actuator provides modulating and floating/2-position control for:

- air dampers,
- VAV units,
- air handlers,
- ventilation flaps,
- louvers, and
- reliable control for air damper applications with up to 1 m<sup>2</sup> / (5 Nm) and 2 m<sup>2</sup> (10 Nm) (seal-less damper blades; air friction-dependent).

#### FEATURES

- **Declutch for manual adjustment**
- **Adjustable mechanical end limits**
- **Removable access cover for direct wiring**
- **Mountable in any orientation**
- **Function selection switch for selecting modulating or floating/2-position control**

#### SPECIFICATIONS

<b>Supply voltage</b>	24 Vac/dc -15%/+20%, 50/60 Hz
<b>Nominal voltage</b>	24 Vac/dc, 50/60 Hz

*All values stated hereinafter apply to operation under nominal voltage conditions.*

#### Power consumption

N05010	5 VA / 2 W
N10010	5 VA / 2 W

#### Control signal

Modulating	0...10 V
Floating/2-Position	24 Vac/dc

#### Ambient limits

Ambient operating limits	-20...+60 °C (-5...+140 °F)
Ambient storage limits	-30...+80 °C (-22...+176 °F)
Relative humidity	5...95%, non-condensing

#### Safety

Protection standard	IP54
Protection class	II as per EN 60730-1
Overvoltage category	II

#### Lifetime

Full strokes	60000
Repositions	1.5 million

#### Mounting

Round damper shaft	8...16 mm
Square damper shaft	6...13 mm; 45° steps
Shaft length	min. 41 mm

#### End switches (when included)

Rating	5 A (resistive), 3 A (inductive)
Triggering points	5° / 85°

#### Torque rating

5 Nm / 10 Nm

#### Runtime for 90°

mod. (dc / 50/60 Hz ac)	90 sec
floating (dc / 60 Hz ac)	90 sec
floating (50 Hz ac)	110 sec

#### Rotation stroke

95° ± 3°

#### Dimensions

see "Dimensions" on page 6

#### Weight (without cables)

450 g

#### Noise rating

35 dB(A) max. at 1 m

## PRODUCT IDENTIFICATION SYSTEM

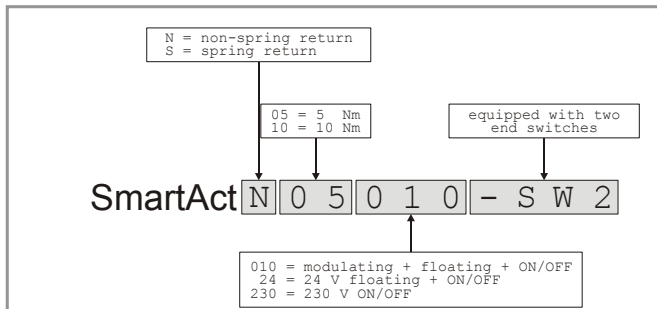


Fig. 1. Product Identification System

## MODELS

order no.	supply voltage	end switches	torque
N05010	24 Vac/dc	--	5 Nm
N05010-SW2		2	
N10010	24 Vac/dc	--	10 Nm
N10010-SW2		2	

## BASIC FEATURES

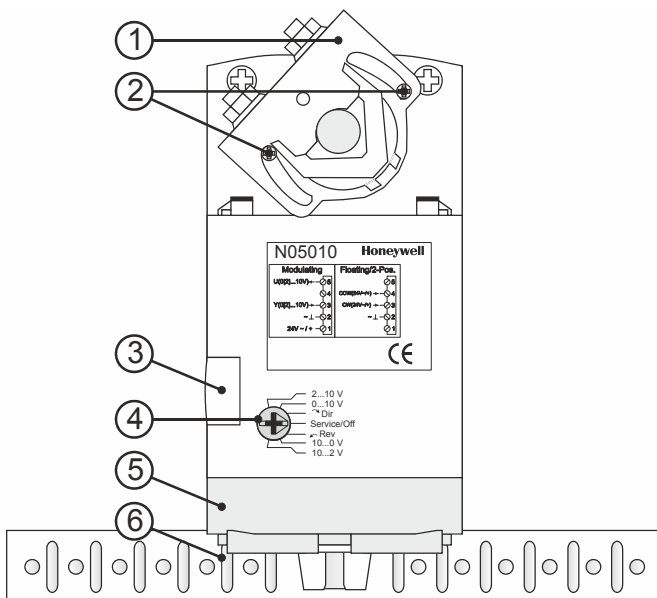


Fig. 2. Setting units and control elements

### Legend for Fig. 2:

- 1) Universal shaft adapter
- 2) Mechanical end limits
- 3) Declutch button
- 4) Function selection switch
- 5) Removable access cover
- 6) Anti-rotation bracket

## Contents of Package

The delivery package includes the actuator, parts 1 through 6 (see Fig. 2), plus two cable grommets and a spare cable grommet.

## RUN MODES

The function selection switch (see Fig. 3) can be used to place the actuator into any one of three different modes:

- Service/Off;
- the floating/2-position run mode ("Dir" for CCW-closing dampers or "Rev" for CW-closing dampers); and
- the modulating run mode.

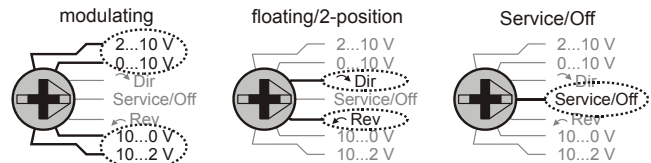


Fig. 3. Function selection switch

## Power-Off Behavior

If power is removed, the shaft adapter remains in position.

## Service/Off

If the function selection switch is set to the "Service/Off" position, then all rotary movement is cancelled, and all control signals are ignored, thus allowing the actuator to be manually operated safely.

## Floating/2-Position Run Mode

To use the actuator in the floating or 2-position mode, the function selection switch must be set to either "Dir" or "Rev".

### Without Feedback Signal

As soon as operating power is applied, the shaft adapter will then run according to the control signals applied.

### With Feedback Signal

If terminal 1 is connected according to Fig. 12 and Fig. 13, a feedback signal will be provided at terminal 5. As soon as operating power is applied, the shaft adapter will then run first completely counterclockwise and then completely clockwise (see also section "Adaption"), after which it will run according to the control signals applied.

## Modulating Run Mode

To use the actuator in the modulating mode, the function selection switch must be set to one of the four modulating control settings. A feedback signal will be provided at terminal 5. As soon as operating power is applied, the shaft adapter will run first completely counterclockwise and then completely clockwise (see also section "Adaption"), after which it will run according to the control signals applied.

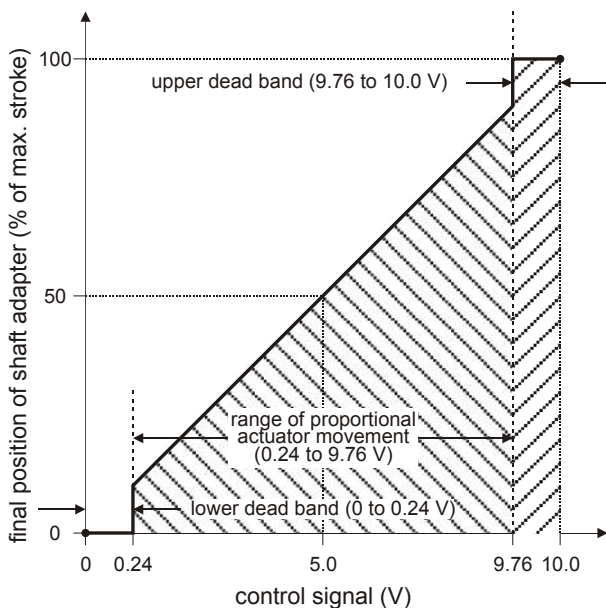


Fig. 4. Final shaft adapter position vs. control signal (ex. function selection switch setting of 0...10 V)

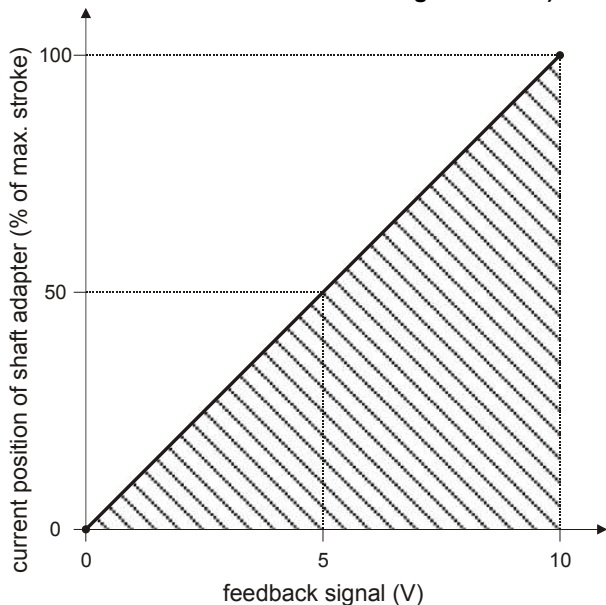


Fig. 5. Feedback signal in vs. current position of shaft adapter (ex. function selection switch setting of 0...10 V)

**Adaption**

Adaption is a function in which the actuator re-maps its feedback signal and control signal in accordance with repositioned mechanical end limits (see also Fig. 6) and thus recognizes their new positions.

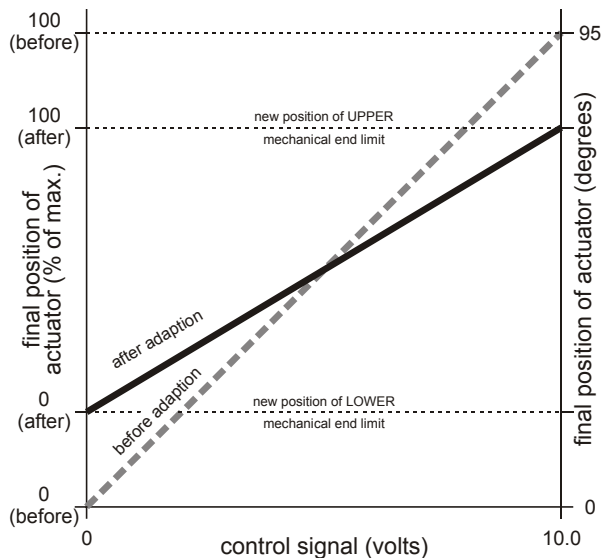


Fig. 6. Adaption (function selection switch set to "0...10 V")

Adaption will be carried out whenever the actuator is connected at terminal 1 and

- the user powers up (from a totally powerless condition) the actuator; or
- the user sets the function selection switch to the "Service/Off" setting for at least 2 sec and then back to its previous setting; or
- when using the actuator in the modulating mode, if the control signal's value rises up into the upper dead band (i.e. to more than the max. control signal minus 0.24 V) or drops down into the lower dead band (i.e. to less than the min. control signal plus 0.24 V), after which the shaft adapter must then remain at the respective (upper or lower) mechanical end limit for at least 3 sec. However, in this case, the actuator will then recognize the position of only the respective (upper or lower) mechanical end limit.

**Accuracy**

To achieve very exact positioning or synchronicity from several actuators running in parallel, ensure that the actuator does one synchronization run per day (i.e. drive the actuator into the upper dead band, hold for min. 3 sec, then drive the actuator into the lower dead band, and then hold for min. 3 sec.) See section "Adaption" for exact voltage levels.

**Overriding**

An override is a condition in which a 24 V signal is applied to terminal 4 of an actuator in the modulating mode, thus causing the actuator to ignore the control signal at terminal 3, whereupon it will instead move to a position of 50% of its max. stroke.

**Feedback**

If correspondingly wired (see Fig. 11, Fig. 12, and Fig. 13), the actuator provides, via terminal 5, a feedback signal proportional to the actual position of the shaft adapter. The feedback signal has the range of 0(2)...10 V.

## MANUAL ADJUSTMENT

### IMPORTANT

To prevent equipment damage, you must remove power or set the function selection switch to the "Service/Off" position before manual adjustment.

After removing power or setting the function selection switch to the "Service/Off" position, the gear train can be disengaged using the declutch button, permitting the shaft adapter to be manually rotated to any position. If you have wired the actuator for feedback signal, then, after adaption, the feedback signal will follow the new position.

### Limitation of Rotation Stroke

Two adjustable mechanical end limits are provided to limit the angle of rotation as desired (see Fig. 7). The mechanical end limits must be securely fastened in place.

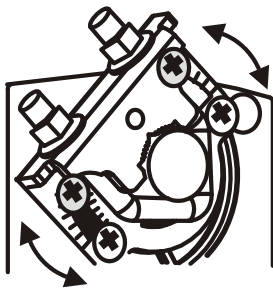


Fig. 7. Mechanical end limits

To ensure tight closing of the dampers, the shaft adapter has a total rotation stroke of 95°.

After adjusting the mechanical end limits, the user should trigger adaption (see section "Adaption").

## INTERNAL END SWITCHES

**NOTE:** Only those actuators for which "-SW2" has been specified when ordering (e.g.: "N05010-SW2") feature internal end switches.

The internal end switches "A" and "B" are changeover switches which are activated when the shaft adapter moves past a position of 5° and 85°, respectively (see also Table 1).

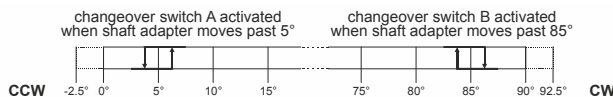


Fig. 8. Internal end switch triggering points

## INSTALLATION

### ! CAUTION

To avoid personal injury (electrical shock) and to prevent equipment damage, before installation, you must remove power.

These actuators are designed for single-point mounting.

### Mounting Instructions

All information and steps are included in the Installation Instructions (Product Literature No.: MU1B-0276GE51) supplied with each actuator.

### Mounting Position

The actuators can be mounted in any position (IP54 is dependent upon orientation; see Fig. 9). Choose a mounting position permitting easy access to cables and controls.

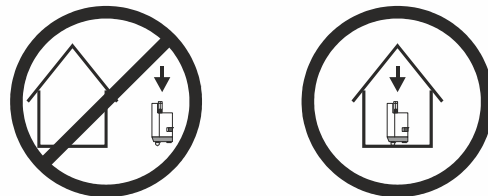
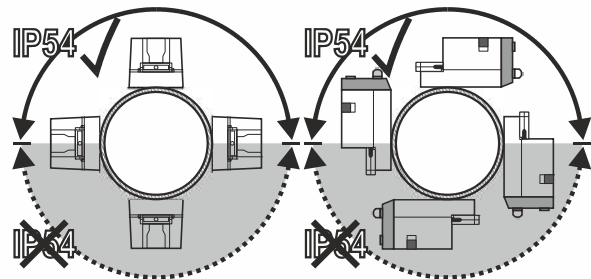


Fig. 9. Mounting for IP54

### Anti-Rotation Bracket and Screws

If the actuator is to be mounted directly on a damper shaft, use the anti-rotation bracket and screws included in the delivery package. The min. distance between the center of the damper shaft and the middle of the anti-rotation bracket is 85 mm; a max. of 108 mm is allowed (see also Fig. 15).

Depending upon the specifics of your mounting site, the actuator may shift in position slightly while tightening the screws at the top of the shaft adapter. The anti-rotation bracket features a T-piece with a 5-mm-long shank to accommodate for this movement. It is important to ensure that this play is not impeded.

### Universal Shaft Adapter

The universal shaft adapter can be used for shafts of various diameters and shapes (round: 8...16 mm and square: 6...13 mm).

## WIRING

### Connecting to the Power Supply

In order to comply with protection class II, the power source of 24 V actuators must be reliably separated from the network power supply circuits as per DIN VDE 0106, part 01.

### Access Cover

The access cover can be unscrewed and removed in order to gain access to the terminal block(s) and perform wiring.

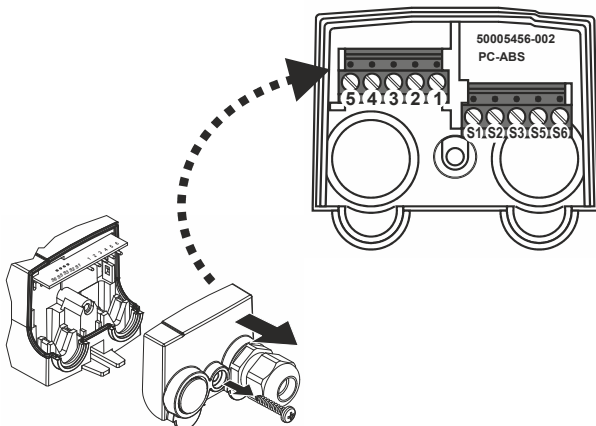


Fig. 10. Access cover

### Wiring Diagrams

Modulating: 0[2]...10V, 10...0[2]V

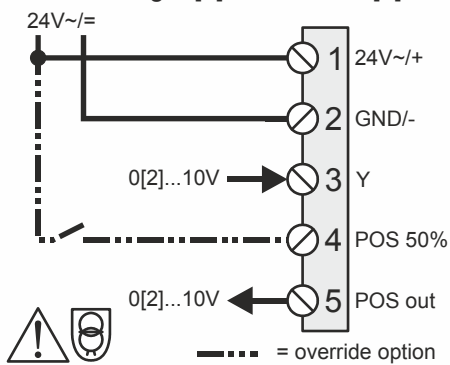


Fig. 11. N05010/N10010 (modulating mode)

Floating: Dir ↻

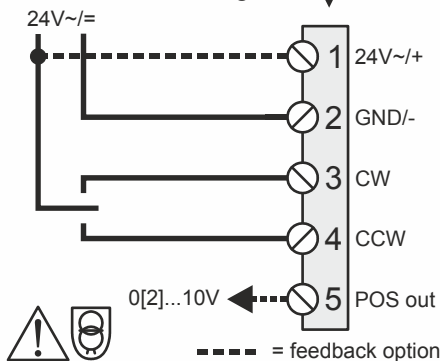


Fig. 12. N05010/N10010 (floating mode)

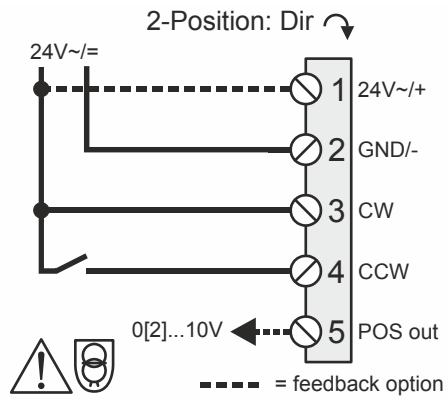


Fig. 13. N05010/N10010 (2-position mode)

### END SWITCHES (max. 230 V, 5 A)

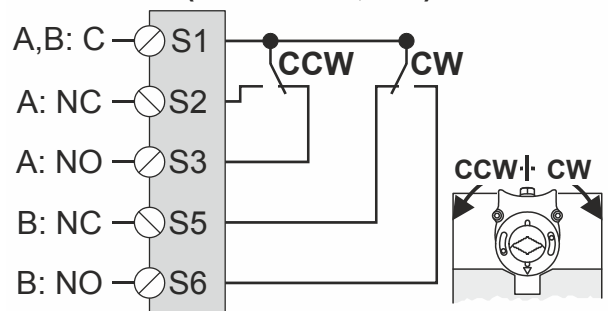


Fig. 14. End switches (Nxx-SW2)

**NOTE:** Both of the internal end switches must be connected to the same power source.

Table 1 summarizes the information presented in the preceding wiring diagrams.

Table 1. Internal end switches (Nxx-SW2)

terminal	type of switch
<b>S1</b>	common lead for switches A and B
<b>S2, S3</b>	change-over switch A (S1/S2 opens and S1/S3 closes when shaft adapter moves CW past 5°; reverts to original state when shaft adapter moves CCW past 5°).
<b>S5, S6</b>	change-over switch B (S1/S5 opens and S1/S6 closes when shaft adapter moves CW past 85°; reverts to original state when shaft adapter moves CCW past 85°).

## DIMENSIONS

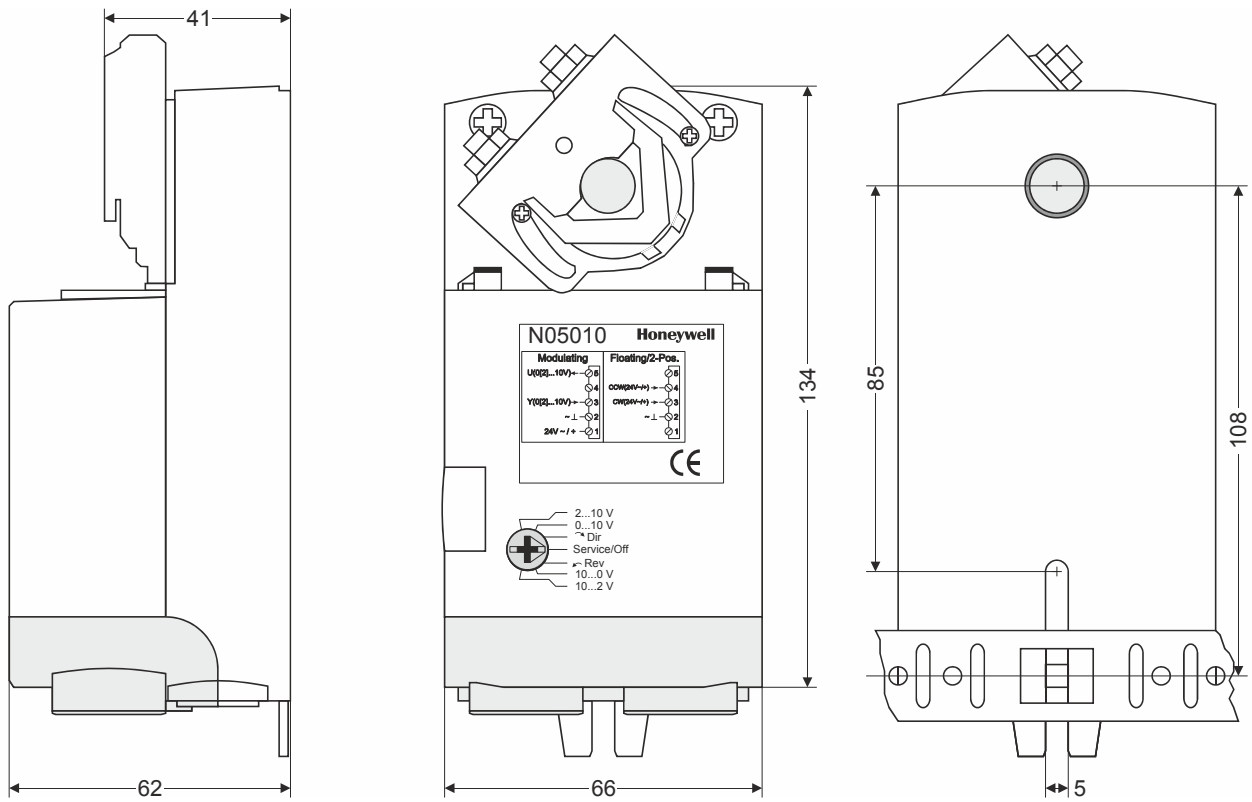


Fig. 15. Dimensions (in mm)

**Honeywell**

Manufactured for and on behalf of the Environmental and Combustion Controls Division of Honeywell Technologies Sàrl, Rolle, Z.A. La Pièce 16, Switzerland by its Authorized Representative:

**Automation and Control Solutions**

Honeywell GmbH  
 Böblinger Strasse 17  
 71101 Schönaich / Germany  
 Phone: (49) 7031 63701  
 Fax: (49) 7031 637493  
<http://ecc.emea.honeywell.com>

Subject to change without notice. Printed in Germany

EN0B-0478GE51 R0413