

Ref. : BS 1169MML.pas

Rev. : Initial

Date : 10/09/2013

Page : 1/1

FULL BORE BALL VALVE MALE/MALE THREADED

BS 1169MML



Tecofi
VALVE DESIGNER - FRANCE

APPLICATION

General use : Watering, water distribution, heating, drinkable water, air-conditioning.

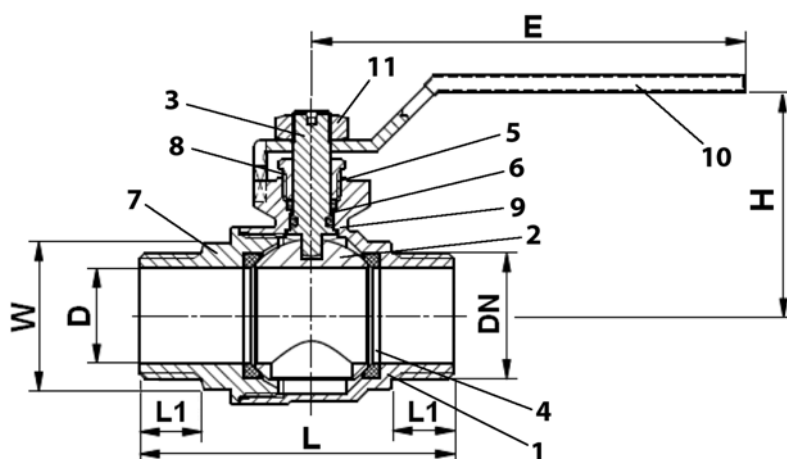
GENERALES CHARACTERISTICS

From DN3/8" to DN 2".
Fabrication according to NF079.
Full bore.
Anti blow-out stem.
Solid ball.
Drilled ball (to avoid water stagnation between ball and body) up to DN 1"1/2.
PTFE G200 packing + O ring EPDM 4270 on stem.
Handle operating.
Handle green color RAL 6029.



CONSTRUCTION

11	Nut	Galvanized steel	Geomet 321 coated
10	Handle	Galvanized steel	Geomet 321 coated
9	O ring	PTFE	
8	Packing nut	Brass	CW614 N according to EN 12164
7	External body	Brass	CW617 N according to EN 12165
6	Packing gland	PTFE	
5	Packing	Brass	CW614 N according to EN 12164
4	Seat	PTFE G400	
3	Stem	Brass	CW614 N according to EN 12164
2	Ball	Brass	CW617 N according to EN 12165
1	Body	Brass	CW617 N according to EN 12165
Pos.	Description	Material	



DIMENSIONS

DN		L	L1	H	D	E	W	Weight (kg)
mm	inch							
12	3/8"	49,5	11	39,5	10	80	17	0,123
15	1/2"	55	11	46,5	15	90	22	0,190
20	3/4"	66	13	50	20	90	27	0,280
25	1"	77,5	15	62,5	25	115	34	0,484
32	1"1/4	89	16	72	32	130	42	0,751
40	1"1/2	102	17	81	39	130	48	1,017
50	2"	117	18	91	50	150	60	1,805

WORKING CONDITIONS

Working temperature: - 5°C / +90°C
Peak temperature : +110°C (maximum 1 hour)

Working pressure : 40 bar - from DN1/4" to DN 3/4"
25 bar - from 1" to 1"1/4,
16 bar - from 1"1/2 to 2"

STANDARDS

BSP threaded male/male BSP according to standard ISO 228-1.

French water agreement ACS n° ACC LY 136

TECOFI France - 83, Rue Marcel Mérieux 69960 Corbas - FRANCE
Tél. +33 (0) 4 72 79 05 79 - Fax +33 (0) 4 78 90 19 19 / +33 (0) 4 72 79 05 70
Adresses e-mail : sales@tecofi.fr ; tecofi@tecofi.fr / Site web : www.tecofi.fr