

FLANGED CHECK VALVE

TECHNICAL PASSPORT

FLANGED CHECK VALVE CAST IRON BODY

CB 3240PN16

APPLICATION

The TECOFI swing check valve is suitable for transfer applications of uncharged fluids under non-pulsating regime.

Area of use: pumping, water supply, air conditioning installation and heating, chemical industry, hydraulic installations.



Fluids: clear and slightly charged water, demineralized water, non corrosive products.



GENERAL CHARACTERISTICS

Range: from DN40 to DN400.

- Swing non-return check valve
- Graphite sealing gasket between body and cover
- Sealing surface slightly inclined
- Easy closure
- Mounting direction is indicated by an arrow on the body.
- Low pressure drop.
- Sturdy construction requiring no maintenance.
- Mounting on horizontal or vertical ascending piping

STANDARDS

Face to face	according to standard DIN3202-F6
Connection	Flange connection according to DIN2533 : PN10/16 from DN40 to DN150 and PN16 from DN200 to DN400
Tests	Hydraulic tests according to EN12266-1, DIN 3230, BS 5154 and ISO 5208: - Body : 24 bar - Seat : 17.6 bar

PRODUCT APPROVALS



Tecofi France

83 rue Marcel Mérieux - 69960 Corbas
Tél. +33 (0)4 72 79 05 79 - Fax. +33 (0)4 78 90 19 19
E-mail : sales@tecofi.fr - www.tecofi.fr



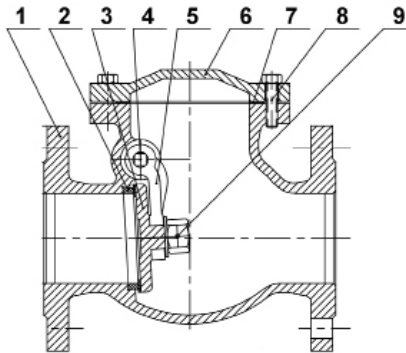
FLANGED CHECK VALVE

TECHNICAL PASSPORT

CONSTRUCTION

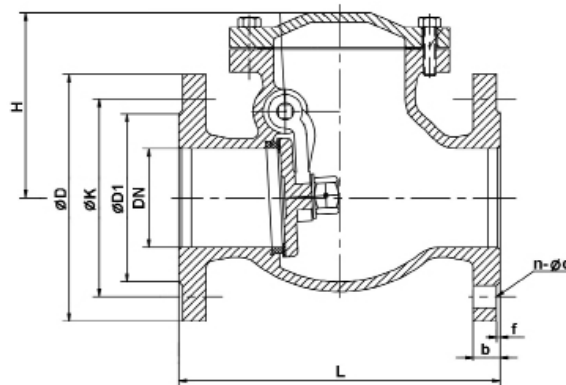
CB 3240PN16

Constituant	Revêtement
Body (1)	Epoxy powder RAL 5017 thickness 150µm
Bonnet (6)	Epoxy powder RAL 5017 thickness 150µm



Pos.	Description	Material	Equivalences		
			DIN	ASTM	BS
1	Body	Cast iron EN-GJL-250	GG25	A48 class 40B	1452 Grade 250
2	Seat ring	Brass			
3	Plate	Cast iron EN-GJL-250 + Brass	GG25	A48 class 40B	1452 Grade 250
4	Hinge pin	Stainless steel			
5	Hinge	Ductile iron En-GJS-400-15	GGG40	A536 65-45-12	1563 EN-JS1030
6	Bonnet	Cast iron EN-GJL-250	GG25	A48 class 40B	1452 Grade 250
7	Gasket	Graphite			
8	Screw	Zinc plated steel			
9	Nut	Zinc plated steel			

DIMENSIONS



DN		L	Ø D	Ø D1	Ø K	H	n-Ød	b	f	Weight (kg)
mm	inch									
40	1"1/2	180	150	88	110	115	4-Ø18	18	3	9
50	2"	200	165	102	125	128	4-Ø18	20	3	12
65	2"1/2	240	185	122	145	153	4-Ø18	20	3	16
80	3"	260	200	138	160	150	8-Ø18	22	3	20
100	4"	300	220	158	180	165	8-Ø18	24	3	27
125	5"	350	250	188	210	185	8-Ø18	26	3	42
150	6"	400	285	212	240	208	8-Ø23	26	3	58
200	8"	500	340	268	295	252	12-Ø23	30	3	95
250	10"	600	405	320	355	306	12-Ø27	32	3	135
300	12"	700	460	378	410	335	12-Ø27	32	4	220
350	14"	800	520	438	470	380	16-Ø27	36	4	286
400	16"	900	580	490	525	410	16-Ø30	38	4	380

Tecofi France

83 rue Marcel Mérieux - 69960 Corbas

Tél. +33 (0)4 72 79 05 79 - Fax. +33 (0)4 78 90 19 19

E-mail : sales@tecofi.fr - www.tecofi.fr



FLANGED CHECK VALVE

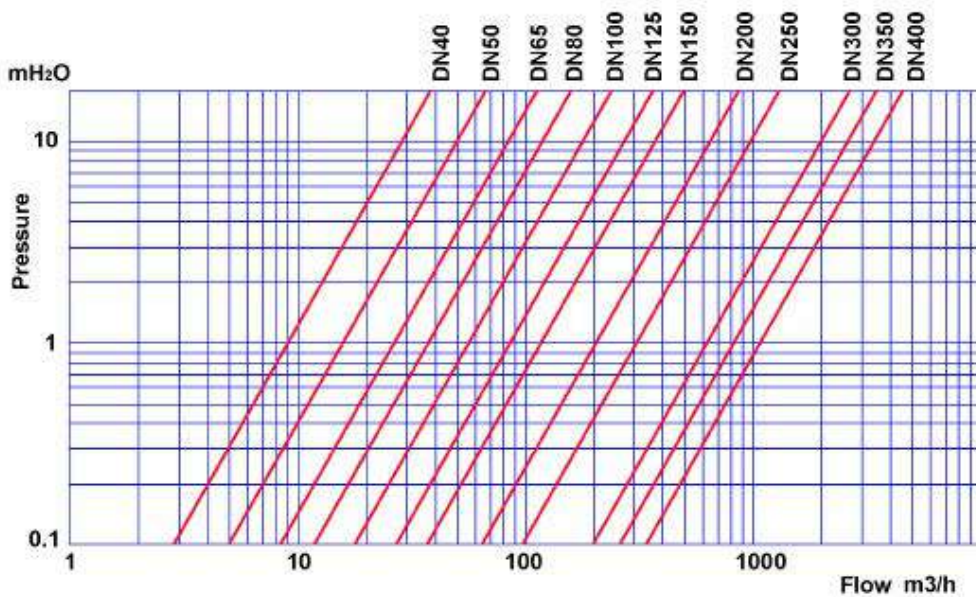
TECHNICAL PASSPORT

CB 3240PN16

WORKING CONDITIONS

Maximum working pressure : 16 bar
Maximum working temperature : +150°C

HEAD LOSS DIAGRAMM



FLOW FACTOR (Kvs)

DN	40	50	65	80	100	125	150	200	250	300	350	400
Kvs	28.5	50.2	83.7	117	179	272	370	647	971	1994	2595	3389

The photographs and technical art works are not contractual. The specifications of the presented products are open to modifications without previous advice

Tecofi France

83 rue Marcel Mérieux - 69960 Corbas
Tél. +33 (0)4 72 79 05 79 - Fax. +33 (0)4 78 90 19 19
E-mail : sales@tecofi.fr - www.tecofi.fr

